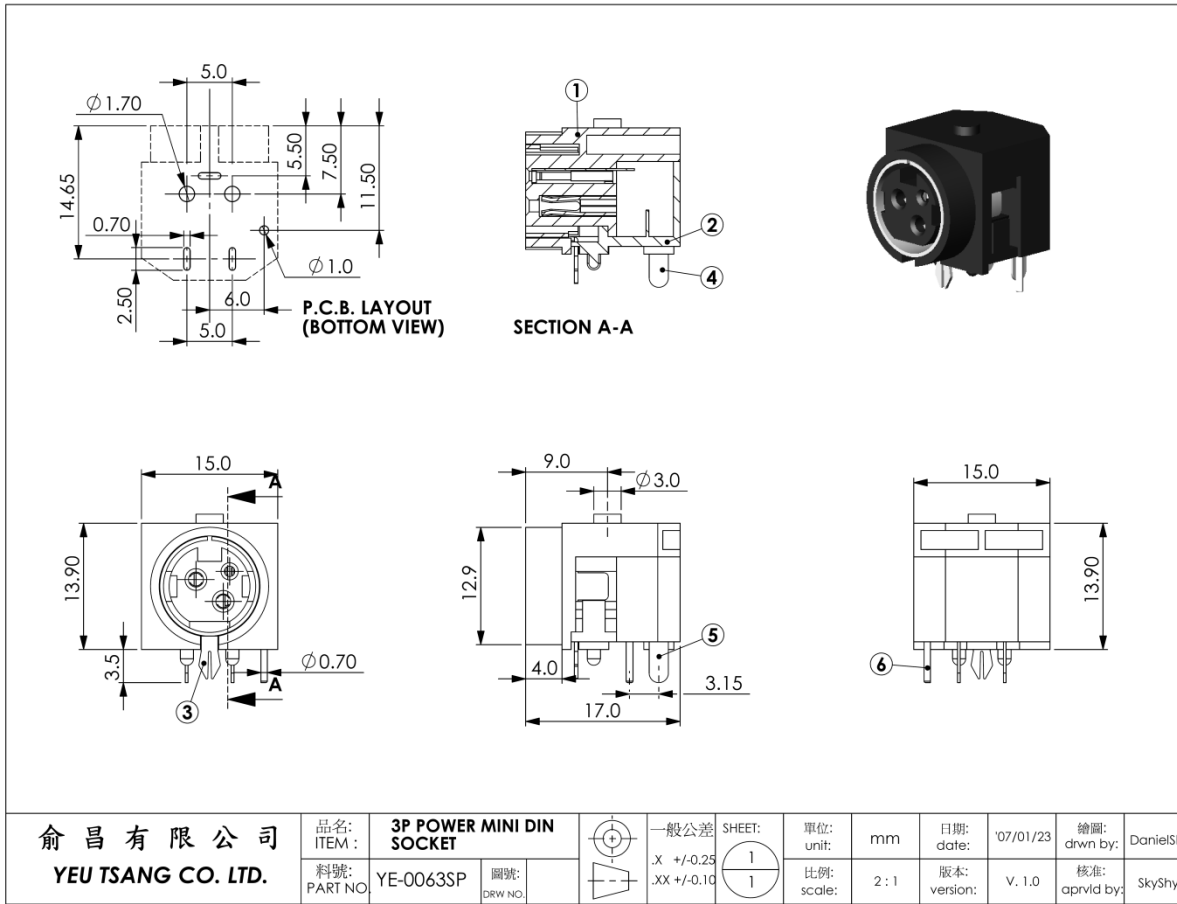


# YE-0063SP 3P POWER MINI DIN SOCKET



## • MATERIALS :

1. HOUSING:  
PBT+GF15%
2. BASE:  
PBT+GF15%
3. SHIELD COVER :  
BRASS NICKEL PTD.
4. TERMINAL A :  
BRASS SILVER PTD.
5. TERMINAL B :  
BRASS SILVER PTD.
6. TERMINAL C :  
PHOSPHOR BRONZE SILVER PTD.

## 7. SPECIFICATION :

- rating :  
100V AC or 12V DC 2A
- insulation resistance :  
MIN 50MΩ at 250V DC
- voltage withstand :  
250V AC, 1 minute

俞昌有限公司  
YEU TSANG CO. LTD.

品名:  
ITEM : 3P POWER MINI DIN  
SOCKET  
料號:  
PART NO YE-0063SP 圖號:  
DRW NO.



一般公差  
.X +/-0.25  
.XX +/-0.10

SHEET:  
1  
1

單位:  
unit: mm

日期:  
date: '07/01/23

繪圖:  
drwn by: DanielShyr

比例:  
scale: 2:1

版本:  
version: V. 1.0

核准:  
aprvid by: SkyShyr

COPYRIGHT BY YEU TSANG